

**1105620**  
**SYNTESI 160 230V 50HZ**

**3233003\_1105620\_R02W - R02W (11/12/2020)**



**MAXJONEL SRL**

**CUI: RO21803460; J28/418/2007**

**Str. Fratii Buzesti, 76A, Bals, judet Olt, 235100**

**Comenzi: 0741 499 499 - 0757 101 819;**

**Piese schimb: 0785 850 961**

**comenzi@maxjonel.ro; [www.maxjonel.ro](http://www.maxjonel.ro)**

**Access Platform Division**

Via San Francesco d'Assisi, 8 - 46020 Pegognaga (Mantova) - ITALY Tel. +39 0376  
554011 - Fax +39 0376 559855

**[www.imergroup.com](http://www.imergroup.com)**

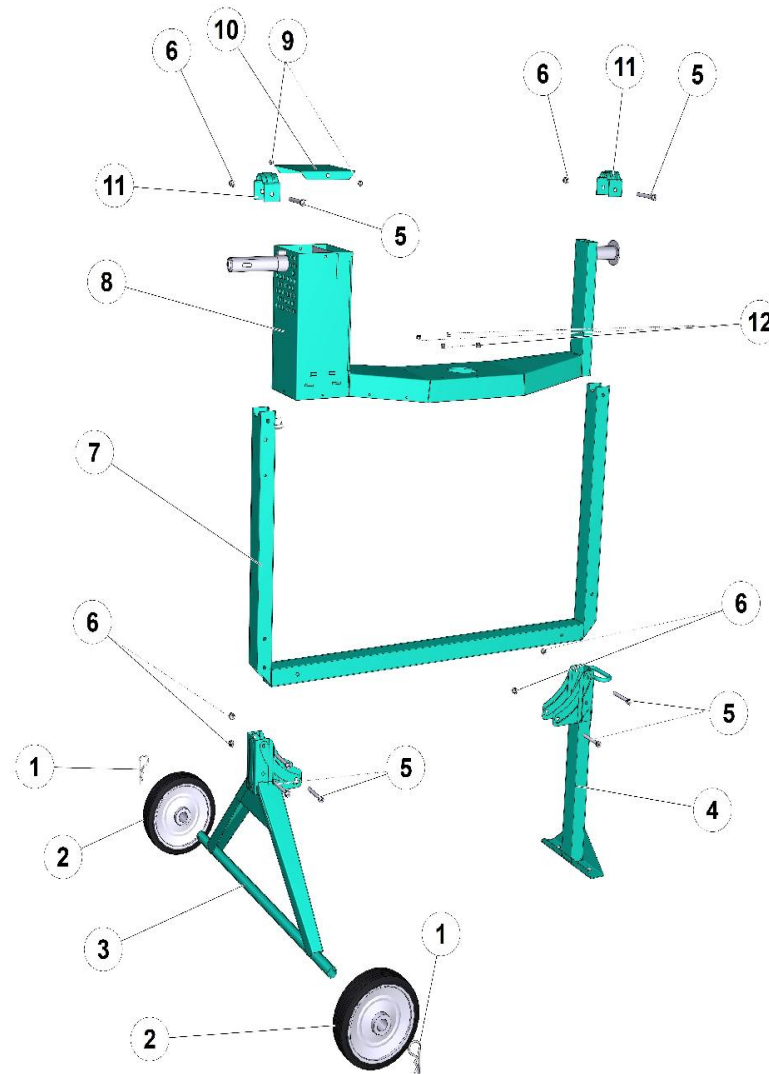
**Building Equipment Division**

Via della Meccanica, 39 (Zona Industriale Sentino) - 53040 Rapolano Terme  
(Siena) - ITALY - Tel. +39 0577 97341 - Fax +39 0577 704077

**[www.imergroup.com](http://www.imergroup.com)**

**[www.imerglobalcustomercare.com](http://www.imerglobalcustomercare.com)**

FRAME

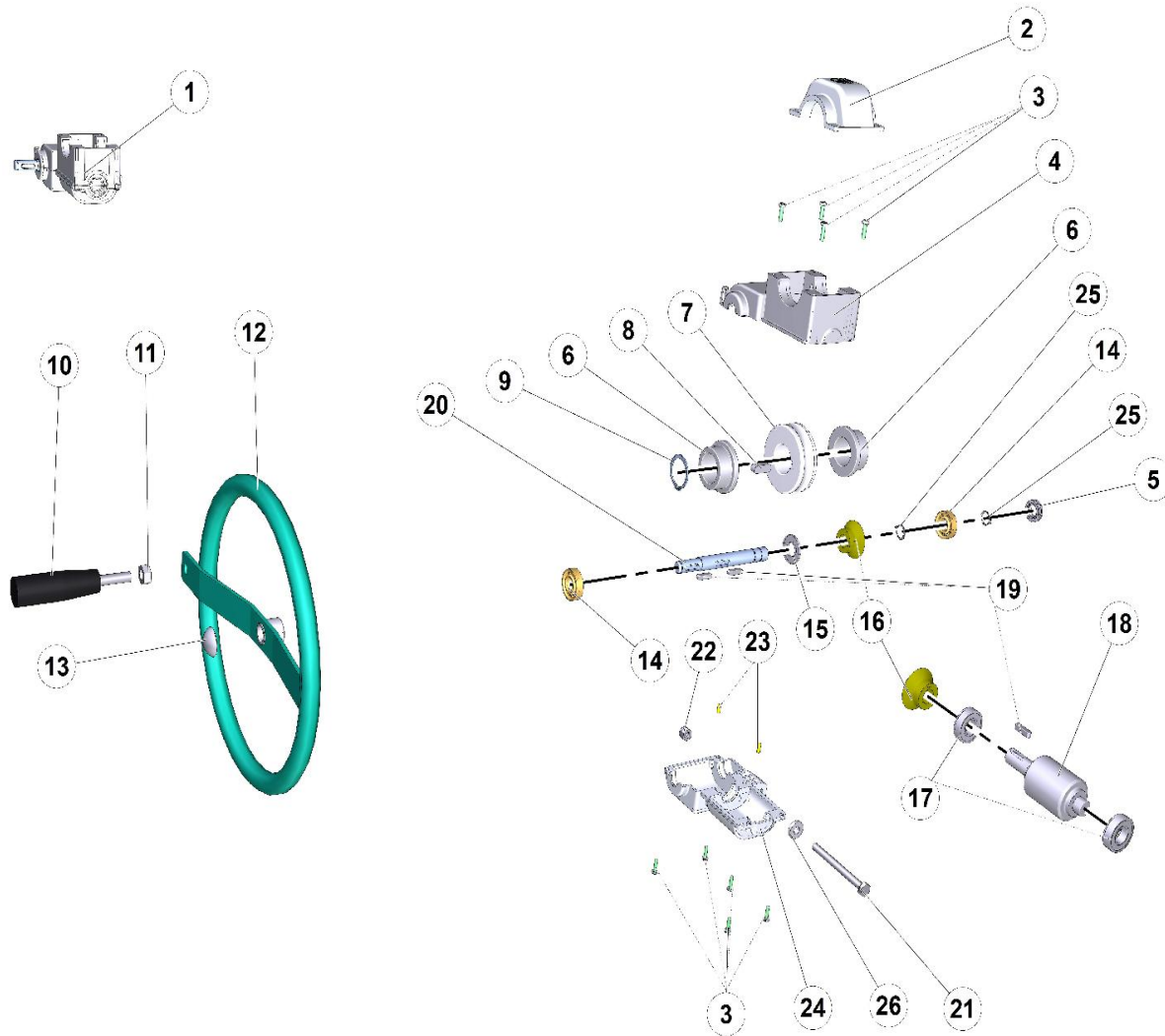


**E**



N.	CODE	DESCRIPTION	UM	QTY
1	2226700	SPLIT PIN	PZ	2
2	3209809	WHEELS	PZ	2
3	3209632	UPRIGHT	PZ	1
4	3209637	SIDE STAY	PZ	1
5	2222072	SCREW	PZ	6
6	2223923	LOCK NUT	PZ	6
7	3210227	CRADLE	PZ	1
8	3210226	Arm	PZ	1
9	2222420	SCREW	PZ	2
10	3209626	Locking	PZ	1
11	3209629	U BOLT	PZ	2
12	2223924	NUT	PZ	4

# DRUM REDUCTION UNIT



**B**

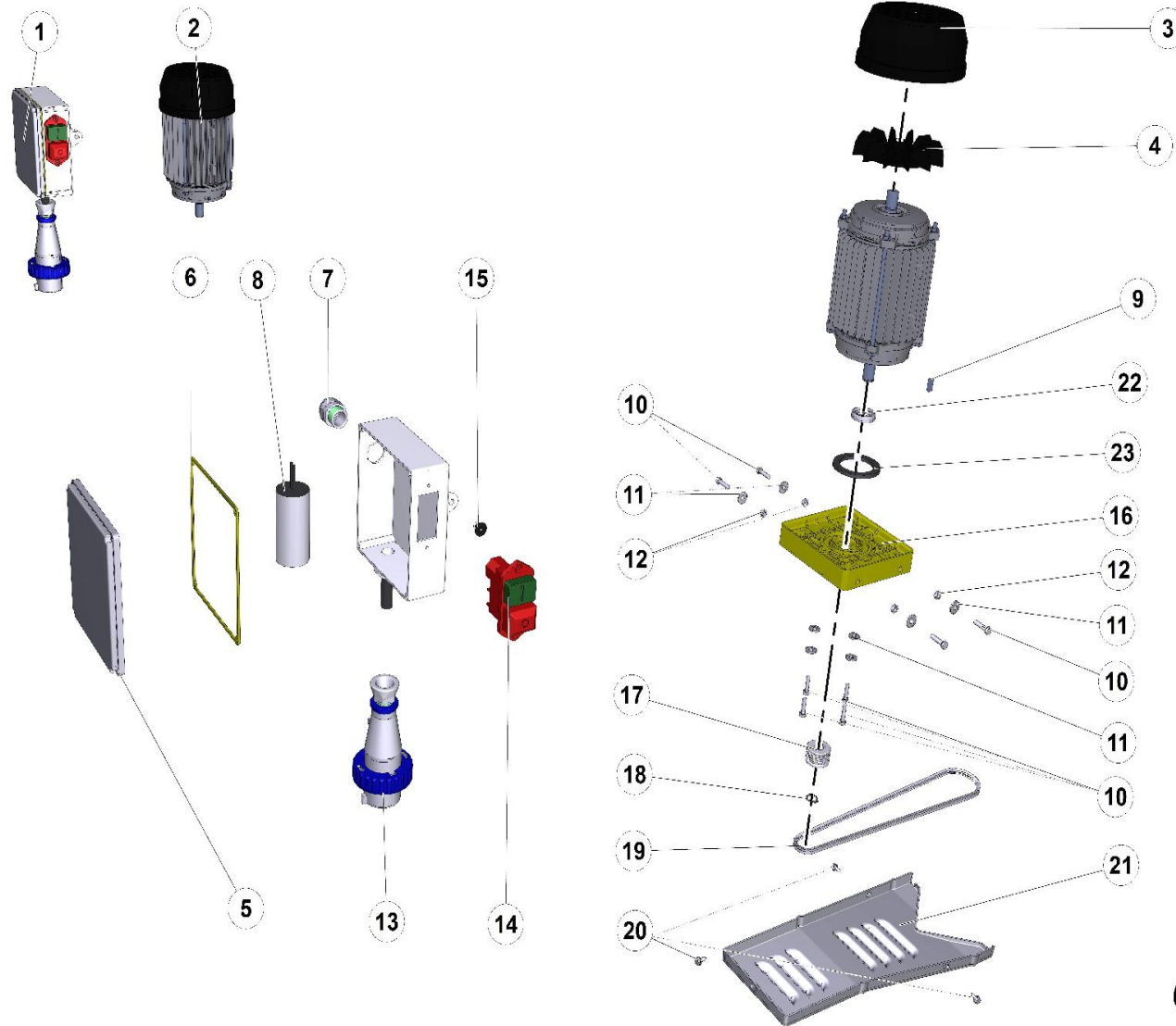


N.	CODE	DESCRIPTION	UM	QTY
1	3209794	Reduction gear	PZ	1
2	3209620	Cover	PZ	1
3	2222461	SCREW/MN	PZ	8
4	3209621	Guard	PZ	1
5	3209831	OIL SEAL RING + DUST COVER 26X14X7	PZ	1
6	3231500	BUSHING	PZ	2
7	3231569	GEAR WHEEL S.140	PZ	1
8	3229979	KEY	PZ	1
9	2227240	STOP RING	PZ	1
10	3206748	HANDLE	PZ	1
11	2223650	NUT	PZ	1
12	3227207	HANDWHEEL	PZ	1
13	3227377	RING	PZ	1
14	3209783	BUSHING	PZ	2
15	2224201	WASHER	PZ	1
16	3209789	PINION S140	PZ	2
17	2204400	Bearing	PZ	2
18	3231606	S140 SHAFT	PZ	1
19	3203117	KEY/CONC.MIXER	PZ	3
20	3209784	SHAFT	PZ	1
21	2222114	SCREW	PZ	1



N.	CODE	DESCRIPTION	UM	QTY
22	2223923	LOCK NUT	PZ	1
23	3213828	Gudgeon pin	PZ	2
24	3209622	Guard	PZ	1
25	1227330	STOP RING	PZ	2
26	3209806	Damper	PZ	1

# MOTOR ELECTRIC PANEL



**C**



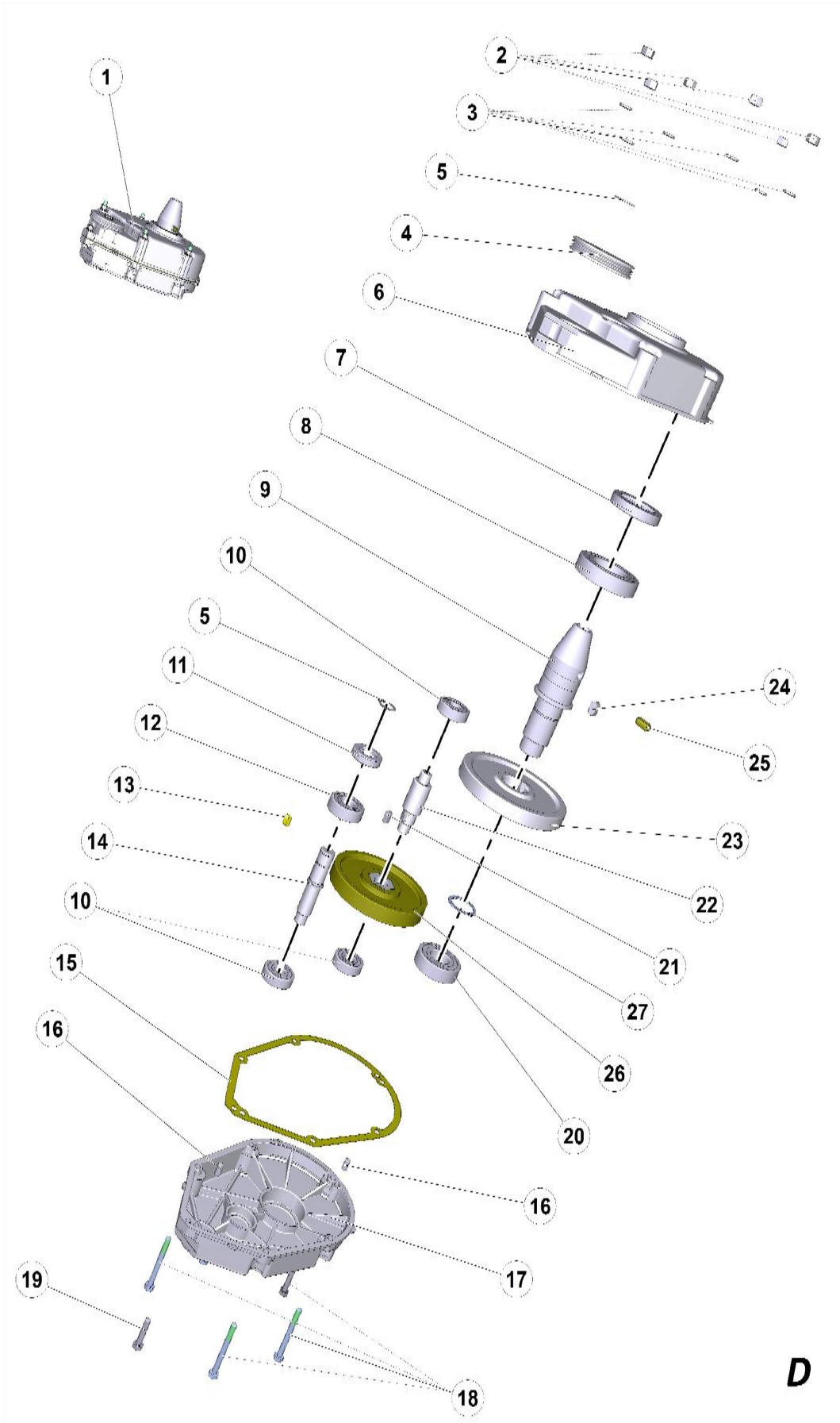
N.	CODE	DESCRIPTION	UM	QTY
1	3209624	ELECTRIC PANEL	PZ	1
2	3234564	MOTOR	PZ	1
3	3295838	Fan cover	PZ	1
4	3210651	MOTOR FAN MEC.63 S140 UNIEL.	PZ	1
5	3234727	Box		1
6	3234728	GASKET		1
7	3209692	CABLE CLAMP	PZ	1
8	3213764	CONDENSER	PZ	1
9	3228116	TAB 5X5X16	PZ	1
10	3209796	SCREW	PZ	8
11	2224528	WASHER	PZ	8
12	2223352	NUT	PZ	4
13	3203504	PIN	PZ	1
14	3209337	SWITCH	PZ	1
15	3211175	ALUMINUM RIVET 4.8X16 T16	PZ	1
16	3209645	Plate	PZ	1
17	3208828	PULLEY/CONC.MIXER	PZ	1
18	2227214	STOP RING	PZ	1
19	3209650	BELT	PZ	1
20	2222420	SCREW	PZ	3
21	3209627	Guard	PZ	1





N.	CODE	DESCRIPTION	UM	QTY
22	3209824	STOP RING	PZ	1
23	3209628	GASKET	PZ	1

GEAR BOX



**D**

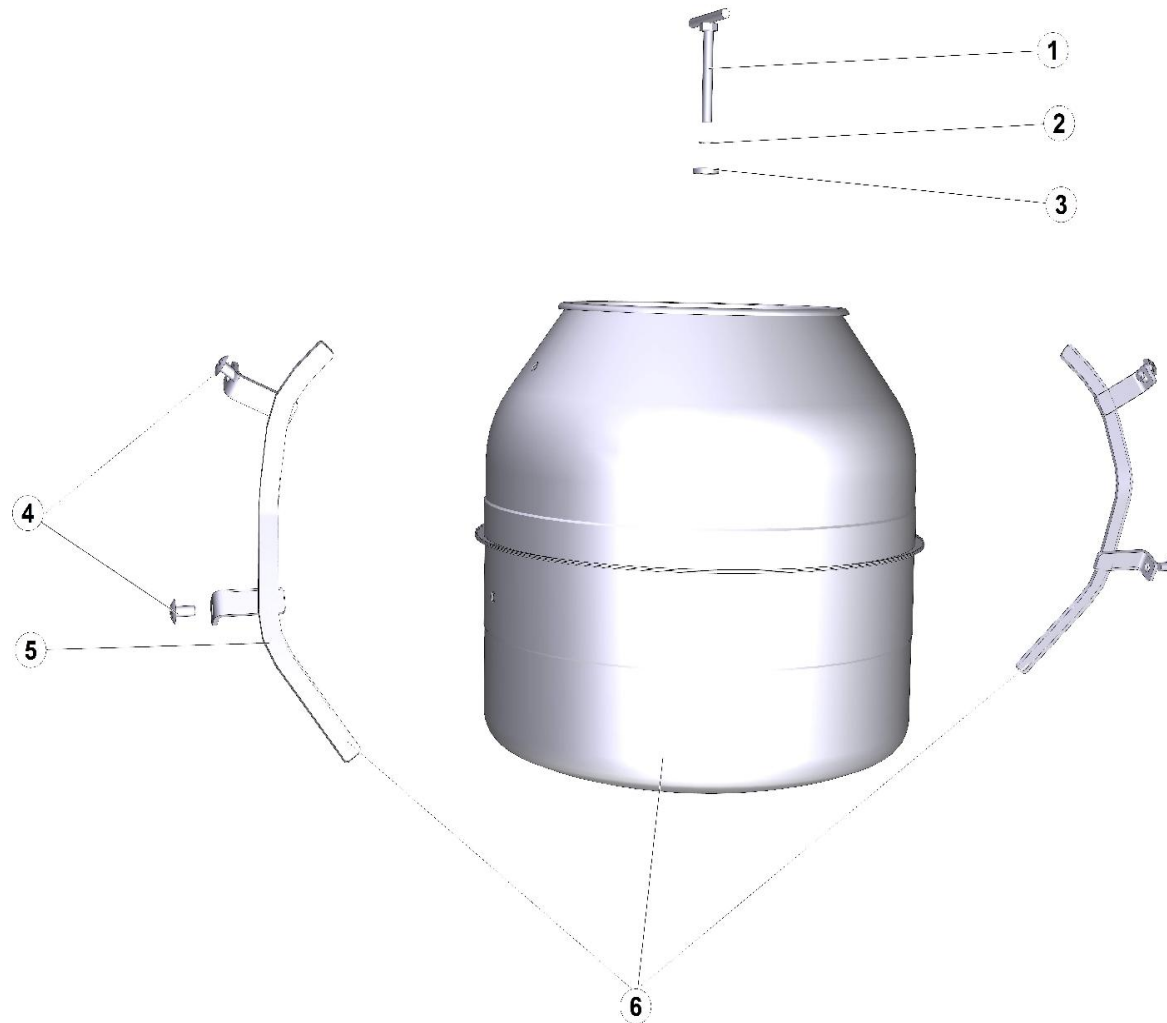


N.	CODE	DESCRIPTION	UM	QTY
1	3209057	Reduction gear	PZ	1
2	2223260	NUT	PZ	6
3	2224530	ROLLER/MN	PZ	6
4	3209044	PULLEY	PZ	1
5	1227330	STOP RING	PZ	2
6	3209528	REDUCTION GEAR CASING	PZ	1
7	2207405	STOP RING	PZ	1
8	2204504	Bearing	PZ	1
9	2201157	DRIVE SHAFT/MN	PZ	1
10	2204420	Bearing	PZ	3
11	3209058	STOP RING	PZ	1
12	3208982	Bearing	PZ	1
13	3209059	KEY	PZ	1
14	3209046	SHAFT	PZ	1
15	3209056	GASKET	PZ	1
16	2228819	Gudgeon pin	PZ	2
17	3209529	REDUCTION GEAR CASING	PZ	1
18	3209527	SCREW	PZ	5
19	2222022	SCREW	PZ	1
20	2204550	Bearing	PZ	1
21	2229249	KEY	PZ	1



N.	CODE	DESCRIPTION	UM	QTY
22	2202823	PINION/CONC.MIXER	PZ	1
23	2202492	GEAR WHEEL	PZ	1
24	2229500	KEY	PZ	1
25	2228360	PIN	PZ	1
26	3213904	GEAR WHEEL/CONC.MIXER	PZ	1
27	2227240	STOP RING	PZ	1

DRUM



A



N.	CODE	DESCRIPTION	UM	QTY
1	2222982	T-BOLT/CONC.MIXER	PZ	1
2	3206800	STOP RING	PZ	1
3	2224428	ROLLER	PZ	1
4	2222193	PADDLE SCREW/MN	PZ	4
5	3233070	SY 160 PADDLE	PZ	2
6	3231868	DRUM KIT SY 160	PZ	1

**MAXJONEL SRL**  
**CUI: RO21803460; J28/418/2007**  
**Str. Fratii Buzesti, 76A, Bals, judet Olt, 235100**  
**Comenzi: 0741 499 499 - 0757 101 819;**  
**Piese schimb: 0785 850 961**  
**comenzi@maxjonel.ro; [www.maxjonel.ro](http://www.maxjonel.ro)**



**Access Platform Division**

Via San Francesco d'Assisi, 8 - 46020 Pegognaga (Mantova) - ITALY Tel. +39 0376  
554011 - Fax +39 0376 559855

[www.imergroup.com](http://www.imergroup.com)

**Building Equipment Division**

Via della Meccanica, 39 (Zona Industriale Sentino) - 53040 Rapolano Terme  
(Siena) - ITALY - Tel. +39 0577 97341 - Fax +39 0577 704077

[www.imergroup.com](http://www.imergroup.com)